

FISHMAN[®]

INSTALLATION GUIDE

FLUENCE OPEN CORE CLASSIC HUMBUCKING PICKUPS

Getting Started

1. Determine the rotary controls (Volume, Tone, etc.) and switches to be used in your installation, including those included with your purchase. Test fit the components to make sure that each will fit in the allocated locations or modify the instrument until the fit is correct and all controls can be located without issue. Fishman Fluence Pickups are active and require 25K audio taper potentiometers.
2. Fishman Fluence multi-voice pickups require a 9V power supply.
 - If using a standard 9V battery, test fit cavity locations for simple installations or consider installing an externally accessible battery compartment (available separately.) Note that it is important the battery is not allowed to short contacts between controls in the instrument.
 - If using a separately purchased Fishman rechargeable battery, refer to those instructions to complete this part of your installation.
 - Note that it may be possible to combine other active pickups with Fishman Fluence pickups, but all pickups will need to use the same 9V power source. Only active pickup combinations are supported.

System Requirements

These instructions provide installation options for the Fishman Fluence series of multi-voice pickups, but these instructions are not comprehensive. A skilled electronics technician can simply interpret this overview to create a wide range of custom wiring options. Please consult with your installer for alternate switching and control components or options not specifically detailed in this guide or included with your pickup purchase. Please visit www.fishman.com for additional wiring diagrams.

Installation Warning!

By self-installing and/or misusing this product, you understand and agree that and such uses are high risk activities and, to the extent permitted by law, YOU EXPRESSLY AND VOLUNTARILY ASSUME THE RISK OF DEATH OR OTHER PERSONAL INJURY SUSTAINED WHILE PARTICIPATING IN SUCH ACTIVITIES WHETHER OR NOT CAUSED BY THE NEGLIGENCE OR ANY OTHER FAULT of Fishman, including but not limited to equipment malfunction from whatever cause, or any other fault of Fishman. Additionally, you agree to indemnify, defend and hold Fishman harmless from any third party claims arising from such activities.

3. The various pickup voicing options are easily activated by connecting the corresponding control wires to Ground. Any of these options can be made switch selectable using the included push-pull pots or other preferred switches. They can also be permanently wired by either connecting to Ground or leaving "open" (unconnected). See the "Connection Points and Functions" section for helpful details.

4. Review your planned scheme for errors, complete the soldering, mount and secure all your components, and test your completed installation before assembly. Consider a popular wiring option as shown on the reverse side of this guide or visit **www.fishman.com** for additional wiring diagrams.

Voice 1 Neck – Vintage PAF / Peak frequency – 2.6kHz

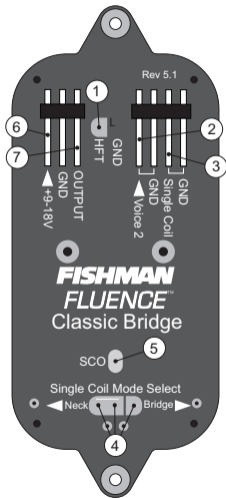
Voice 1 Bridge – Vintage PAF / Peak frequency – 2.25kHz

Voice 2 Neck – Clear, airy chime / Peak frequency – 4.5kHz, 350Hz

Voice 2 Bridge – Classic Hot Rod / Peak frequency – 1.6kHz

Voice 3 Neck – Punchy, single coil / Peak frequency – 5 kHz

Voice 3 Bridge – Punchy, single coil / Peak frequency – 4.5 kHz



Fluence Classic Open Core – Connection Points & Functions

1. HFT (High Frequency Tilt) - This feature is for players who prefer a darker top end, similar to the effect of using passive pickups loaded by a long instrument cable.

To activate, connect the HFT contact pad to ground either wired through a switch or permanently by creating a solder bridge to the GND pad next to it.

The HFT pad has signal on it. To prevent unwanted interaction, it should not share a switch contact with any other HFT or voice select wire.

2. Voice-2 Select Wire - To select Voice-2, connect this pin to ground through a switch contact or permanently by soldering it to any ground or by using one of the included jumpers across the pins.

This pin is an electronically controlled switch and has no signal on it. It can share a switch contact with other voice select wires without interaction.

Note: the Single Coil / Voice-3 select pin (3) over rides Voice-2 select. Therefore, the Voice-3 pin must be disconnected (not grounded) to allow Voice-2 selection.

3. Single Coil / Voice-3 Select Wire - To select Voice-3, connect this pin to ground through a switch contact.

In Single Coil mode, the default active coils are the inner ones when used as a Bridge/ Neck pair. (i.e. neck side coil active on Bridge pickup and bridge side coil active on Neck) See Note (4) to change default active coils in Single Coil mode.

When selected, Single Coil / Voice-3 mode over rides the status of Voice-1 or 2.

4. Single Coil Mode Select - A row of three solder pads is used to select the active coil in Single Coil / Voice-3 mode

The active coil is selected by a solder bridge connecting the corresponding outer pad to the center one.

The pickups ship from the factory with the inner coils (when used as a Bridge/Neck pair) set as the default. To change the active coils to the outer ones, remove the solder bridge and create a new one from the other outer pad to the center. To avoid damaging the pads, solder wick or a desoldering pump are strongly recommended for removing the solder bridge.

5. SCO (South Coil Out) - This solder pad is used to conveniently access the south coil output on each pickup for HSH (Humbucker, Single, Humbucker) and HSS pickup combinations using the Fluence SSA Single width pickup.

The south coil is on the neck side of each pickup. The SSA pickup is a north coil, allowing hum cancelling combinations in the 2&4 positions on a 5-way pickup switch.

6. +9-18V - This is the + dc power input pin. Fluence pickups are designed to have a wide dynamic range running from a 9V supply, however they are 18V compatible for instruments already set up that way.

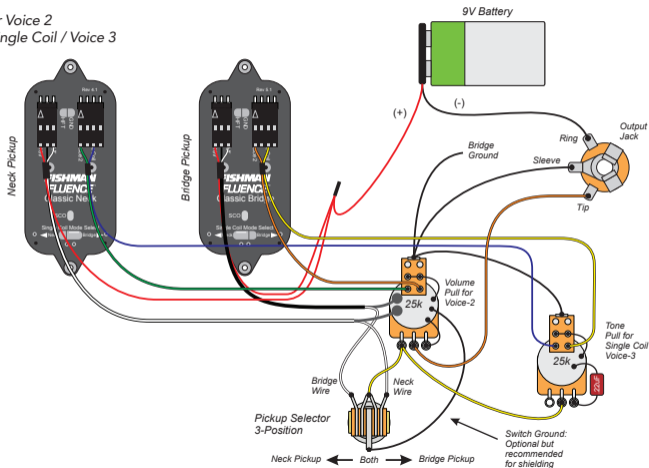
7. Output - The main output pin has a 2k ohm output impedance and is suitable for driving low impedance volume and tone pots, typically 25k.

Open Core Classic Humbucker Set

Controls:

Volume - Pull for Voice 2

Tone - Pull for Single Coil / Voice 3

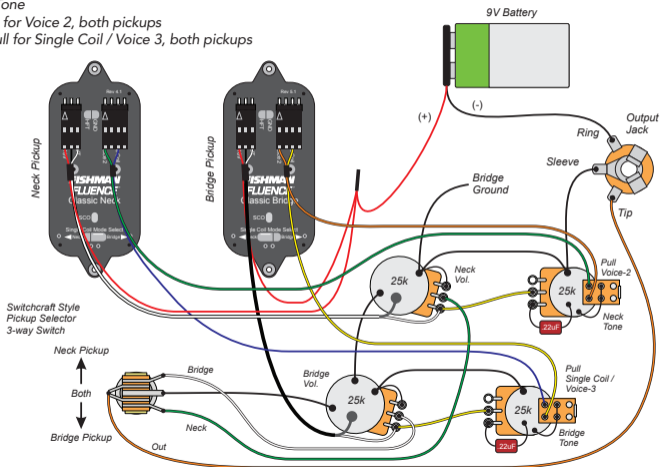


Open Core Classic Humbucker Set

2x Volume, 2x Tone

Neck Tone: Pull for Voice 2, both pickups

Bridge Tone: Pull for Single Coil / Voice 3, both pickups



FISHMAN[®]