

# FISHMAN FLUENCE™

## Tosin Abasi Signature 6, 7, & 8 String Pickup Set - Rev2

### Fishman Recommended Wiring Diagram

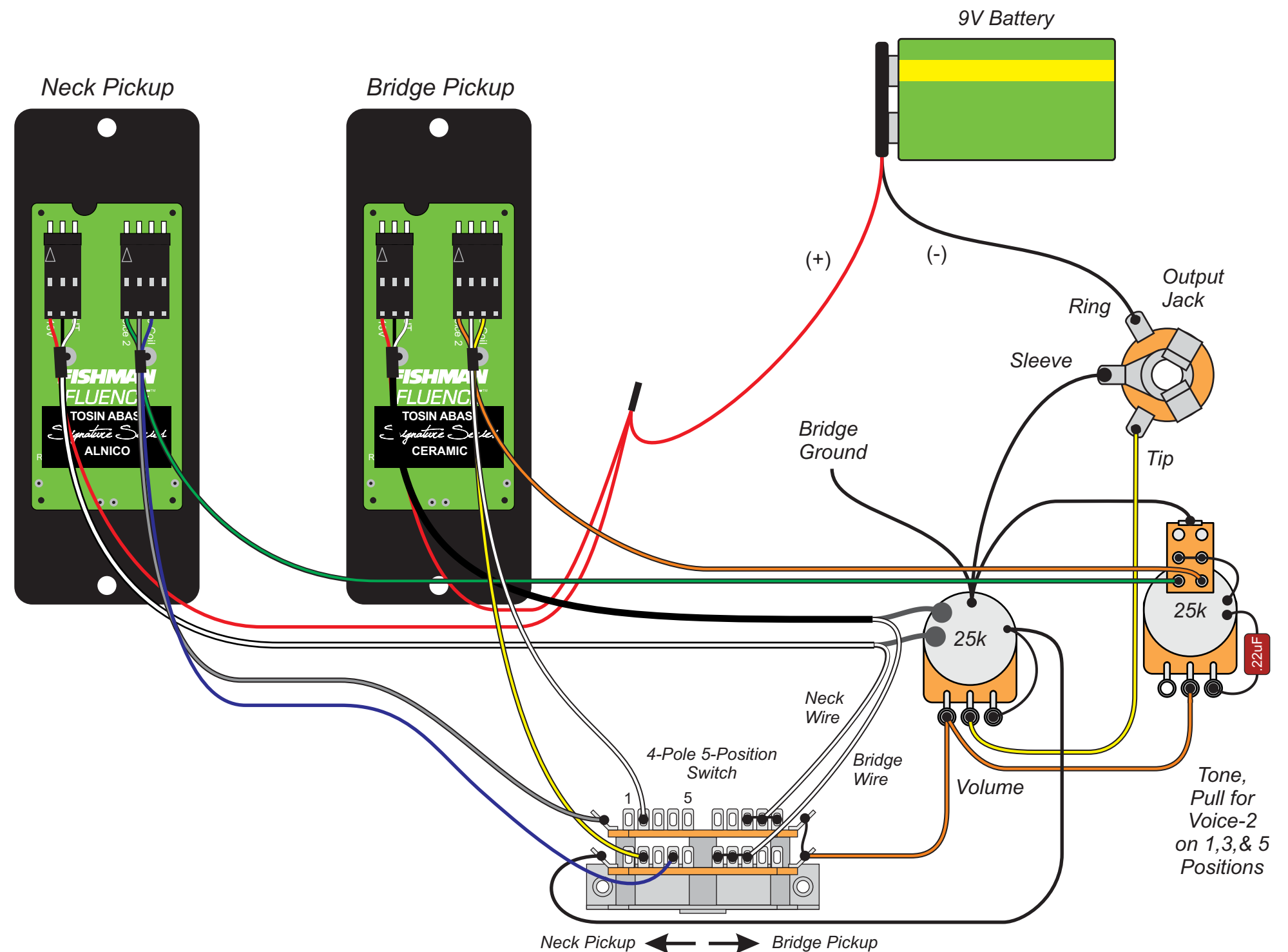
1xVolume, 1xTone (pull for humbucker Voice-2)

#### Notes:

1. Voice-3 (single coil mode) over rides the Voice-1/Voice-2 selection.
2. For Rev2, the NCO & SCO (North Coil Out & South Coil Out) contacts are accessed from the 4-pin connectors. (vs. Solder Pads on Rev1) The grey wire is the Neck NCO and the white wire is the Bridge SCO.
3. Pickup selector switch shown is Oak Grigsby Super Switch (4-pole 5-way).

#### Switch Positions:

1. Bridge Humbucker (Voice-1 or 2 selectable)
2. Bridge & Neck Inner Coils (Bridge Voice-3)
3. Bridge & Neck Humbucker (Voice-1 or 2 selectable)
4. Neck Outer Coil (Voice-3)
5. Neck Humbucker (Voice-1 or 2 selectable)



**CAUTION!** Excessive pressure may puncture the battery. Isolate all components during installation to eliminate shorting or risk of fire.