

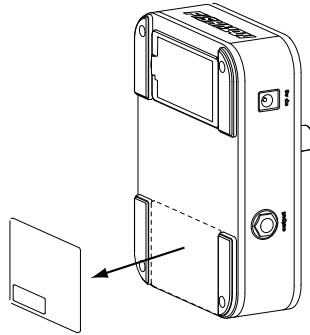
## Upgrading an Aura Imaging Pedal

If you own any of the following Aura Imaging Pedals, you can upgrade your pedal, allowing it to connect to the Aura Image Gallery and download Images. For example, if you own a dreadnought body style Imaging pedal for your guitar, but also play resophonic guitar, the upgrade will allow you to download resophonic Images into your dreadnought pedal so that you can use both instruments with one pedal.

- Dreadnought
- Orchestra
- Concert
- Jumbo
- Nylon
- 12 String

Downloading Images into an Aura Imaging Pedal will allow you to disconnect from the computer and continue to use those Images for recording or on stage.

1. Go to [www.fishman.com/aura](http://www.fishman.com/aura) to purchase the upgrade.
2. Expose the USB jack by prying the metal plate from the back of the Aura Imaging Pedal.



3. Install the Aura Image Gallery software, then connect the pedal to your computer using a mini USB type B cable. When prompted, enter the authorization code you received in step 1.