

USER GUIDE

FT-1 Chromatic Tuner

513-300-161 Rev B 10-10

Precautions

- Do not leave attached to the instrument for long periods of time as damage to the instrument's finish may occur.
- Avoid use in direct sunlight, extreme temperature or humidity, excessive dust, dirt or vibration or close to magnetic fields.
- Be sure to power off the unit when not in use and remove the battery for extended periods of inactivity.
- Radios and televisions placed nearby may experience reception interference.
- To avoid damage, do not apply excessive force to the switches or controls.
- For cleaning, wipe with a clean, dry cloth. Do not use flammable liquid cleaners such as benzene or thinner.
- To avoid damage, fire, or electrical shock, do not place liquids near this equipment.

Specifications

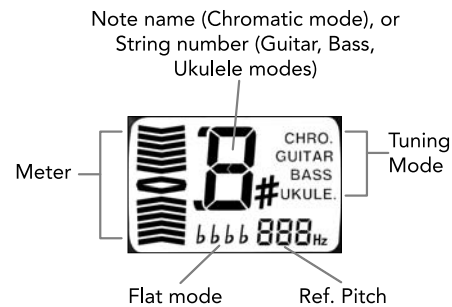
Tuning mode:	Chromatic 12 note 6 and 7-string guitar 4 to 6-string bass; Ukulele (Key of C)
Detection range:	A0 (27.5Hz) - C8 (4,186Hz)
Tuning:	Clip or Mic
Pitch range:	435Hz - 445Hz (saved)
Flat mode:	<i>b, bb, bbb, bbbb</i>
Detection accuracy:	± 0.5cent
Power supply:	one 2032 coin battery
Dimensions:	47.6mm x 47mm x 41mm
Weight:	56g

Controls and Functions

1. Power switch (hold 2 seconds)
& Tuning mode switch
2. Pitch switch
3. Flat selection switch
4. Mic/Clip tuning switch
5. Internal Mic
6. Display



Display

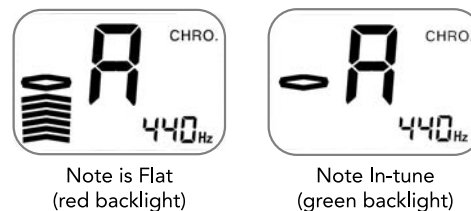


Tuning Procedure

1. Move the **mic/clip** switch to **mic** and place the tuner near your instrument. Or, move the **mic/clip** switch to **clip** and clip the tuner onto your instrument.
2. Hold the **MODE** button for 2 seconds until the tuner powers on. (Repeat to power off the tuner.)
3. Select a tuning mode: press the **MODE** button to step through the 4 modes:

CHRO	Chromatic mode displays the note name
GUITAR	Guitar mode displays the string number
BASS	Bass mode displays the string number
UKULE	Ukulele mode displays the string number

4. Lightly pluck the string with your thumb and adjust the tuning machine until the backlight turns green. When the note is not in tune, the backlight will be red.



Reference Pitch

The reference pitch for "A" may be changed from 440Hz by pressing the **PITCH** button repeatedly.

Flat Mode

To easily lower your tuning reference by up to 4 semitones, press the **FLAT** button repeatedly. For example, a guitar tuned with a standard tuning with one flat displayed, will tune the entire guitar to *E_b*.

Power Save

To help prolong battery life, the backlight is turned off with very low audio levels. After 3 minutes of inactivity, the tuner will turn itself off automatically.

Battery Replacement

When the battery power is low, replace with a fresh CR2032 battery, observing proper polarity.