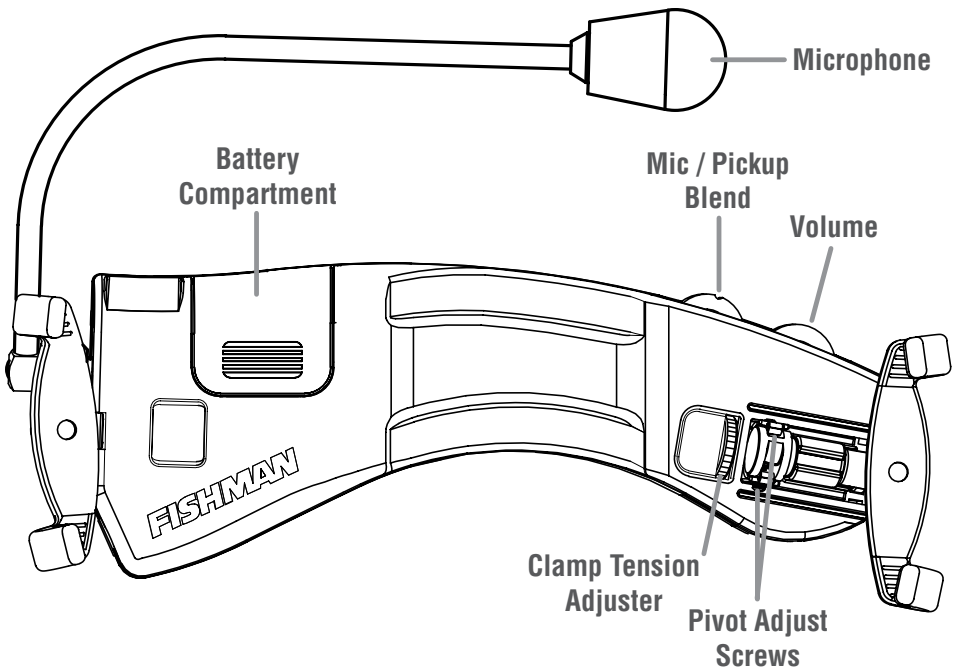




FISHMAN[®]
Acoustic Power

Thank you for choosing this Fishman product. The Concertmaster™ is a complete amplification system for violin, crafted within a custom shoulder rest. The system includes a fine quality microphone, an active two-channel blending preamp and an input for an optional bridge pickup. Our design goal was to create a system for violin with the same professional quality sound as our legendary Blender Systems, but in a package that is as simple and convenient as snapping on a shoulder rest.

We want you to be completely satisfied with your Concertmaster. If you have any questions or comments, please contact us at tech@fishman.com.



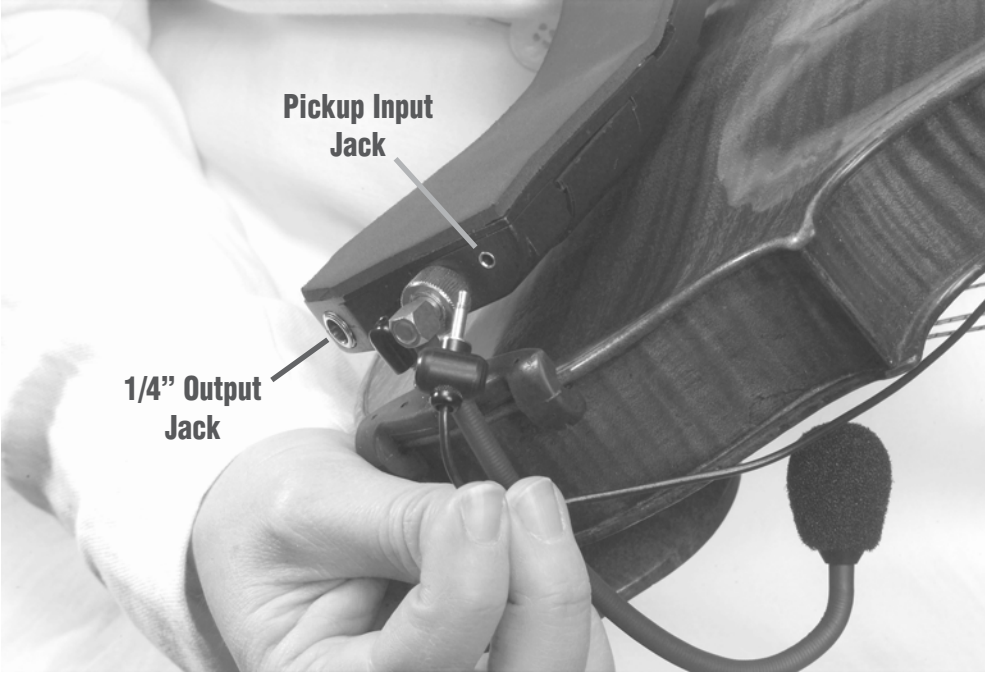
Features

Microphone

The hypercardioid microphone attaches to the Concertmaster body with a threaded co-ax connector.

Pickup Input Jack

Plug in your bridge mounted pickup here. This input accepts a .097" diameter "subminiature" phone plug. A specially modified Plug (with a clip for storage) is available, part # ACC-CMA-JAC.



Optional V-100 Pickup (modified for the Concertmaster)

This pickup is prepared with the subminiature plug that is required for the Concertmaster. If you wish to leave the pickup on the instrument while it is in its case, store the plug on the strings, between the bridge and the tailpiece.

1/4" Output Jack

When you plug in here, the battery inside the Concertmaster switches on. A low impedance buffered output lets you plug the Concertmaster into virtually any instrument amplifier, direct box, mixing board or wireless transmitter with equally good results. Turn down your amp or mute your mixer input before you plug into the output jack to protect your speakers (and your ears) from loud pops.

Mono Blended Output

When you plug in a standard mono instrument cable, the microphone and pickup signals will appear at the Concertmaster's output.

Split Stereo Output

If you wish to split the microphone and pickup signals to separate channels:

1. Plug in a stereo "Y" cable between the Concertmaster and 2 mixer channels.
2. Move the blend thumbwheel all the way to the right, to remove the microphone signal from the pickup channel. The pickup signal will be present at the tip output and the microphone will be present at the ring output. This comes in handy when you wish to keep the microphone signal out of floor monitors to minimize acoustic feedback.

Battery Compartment

It is time to change the batteries when you start hearing distortion through the Concertmaster. Slide the door off to reveal the batteries. To remove, firmly work the batteries up and out of the battery clip. Replace with 2 Duracell DL2032 (or equivalent). Make sure the plus (+) side of the batteries face up. Battery life: 150 hrs.

Mic / Pickup Blend

Turn to the left for more microphone, to the right for more pickup. When you use the TRS stereo outputs, keep the wheel all the way to the right (pickup only).

Volume

For the cleanest signal, turn the master volume as high as possible (to the right) without causing distortion.

Clamp Tension Adjuster

Adjust the thumbwheel so that the clamps will fit snug on your violin.

Pivot Adjust Screws

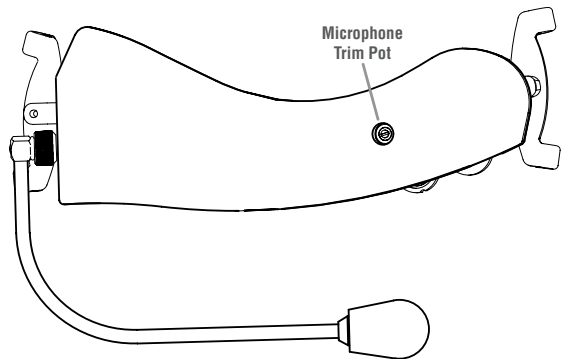
Set the most comfortable playing angle with the provided .050" hex wrench. Back off one screw and tighten the other to adjust the angle. Fasten the screws only finger-tight; over-torquing them may fracture the assembly.

Microphone Trim Pot

To balance the microphone with a pickup, use a small slotted screwdriver to adjust the level of the microphone to taste. Plug in the system and place the blend thumbwheel at the center detent and adjust the microphone level with the trim pot until you achieve the desired balance.

Clamps

We provide three clamps, each with different length posts. Choose the set that will provide the most comfortable playing height.



Storage

If you use the V-100 pickup that is modified for the Concertmaster, unplug it and store the plug on the strings, between the bridge and the tailpiece. (See illustration below.)

Slip the Concertmaster off the violin and move the microphone arm flat against the side of the shoulder rest. The Concertmaster will fit inside the storage compartment of many violin cases.



Accessories

- **Fishman V-100 Violin Pickup** - modified with a subminiature plug (and storage clip) for the Concertmaster
- **Sub-mini plug** (with storage clip) for adapting any bridge pickup for the Concertmaster

Fishman Violin Pickup Installation

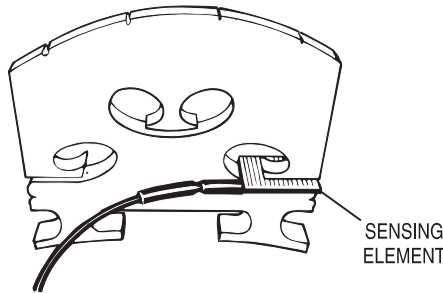
CAUTION: The pickup should be handled with care, particularly during installation. However, once installed as instructed below, this device is well protected from abuse and should provide years of trouble-free service.

Preliminary

1. Remove all rosin deposits from the bridge of the instrument.
2. Examine the bridge closely to make sure that the wing slots are free of warps or irregularities and that the slots present flat parallel faces.

Installing the Pickup

1. Measure the opening of the wing slot on the bridge with a vernier caliper. The opening should be between .060 - .090" (1.5-2.3mm) for proper fit.
2. If the wing slot measures less than .060" (1.5 mm), employ a qualified repairman to enlarge the wing slot.
3. If the wing slot measures more than .090 inch (2.3 mm), a small wooden shim may be required. If so, use an adhesive to bond the shim to the "leg" face.
4. Slide the Transducer into the wing slot of the bridge. Make certain that the sensing element is in contact with the wing face and that the spring is in contact with the corresponding "leg" face of the bridge.



5. The spring provides the proper tension for a snug fit in wing slots ranging from .060 inch to .090 inch (1.2 mm to 2.3 mm).

Fine Tuning

Once the pickup is properly mounted, plug the instrument into the Concertmaster and play at a low volume. Carefully shift the pickup a small distance within the slot and test using the trial and error method, listening for the best location.

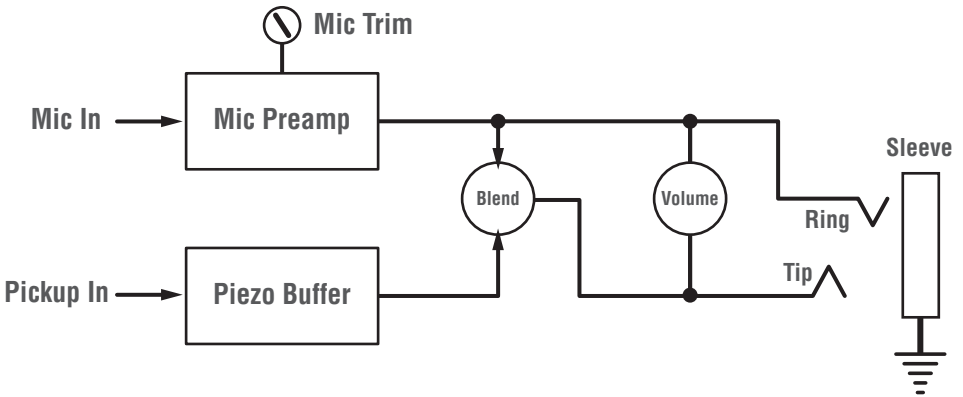
NOTE: If installation is to be permanent, a small drop of adhesive on the side (lower face) of the transducer can be used.

Specifications

Battery Life:	150 hrs
Replacement Battery Type and Part #s:	CR2032 or DL2032 (2 total), 3V lithium
Microphone Frequency Response:	95 Hz - 20kHz
Microphone Response Pattern:	Hypercardioid
Microphone Sensitivity:	5.4 mV/Pa (-45.4 dBV re 1 Pa)
Piezo Input Impedance:	400k Ω with reactive load
System Output Impedance:	Minimum 470, Nominal 1.5k
System Gain:	Blend Circuit is Unity Gain
Piezo Input Gain:	-5.7dB
Nominal Level:	100m Vrms (-10 dBV)
Microphone Gain Trim Control Range:	+13.8dB to +23.4dB

Specifications subject to change without notice.

Block Diagram



L i m i t e d W a r r a n t y

The FISHMAN Concertmaster™ Amplification System for Violin is warranted to function for a period of One (1) Year from the date of purchase. If the unit fails to function properly within the warranty period, free repair and the option of replacement or refund in the event that FISHMAN is unable to make repair are FISHMAN's only obligations. This warranty does not cover any consequential damages or damage to the unit due to misuse, accident, or neglect. FISHMAN retains the right to make such determination on the basis of factory inspection. Products returned to FISHMAN for repair or replacement must be shipped in accordance with the Return Policy, as follows. This warranty remains valid only if repairs are performed by FISHMAN. This warranty gives you specific legal rights and you may also have other rights which may vary from state to state.

Return Policy

To return products to FISHMAN TRANSDUCERS, you must follow these steps...

1. Call FISHMAN TRANSDUCERS at 978-988-9199 for a Return Authorization Number ("RAN").
2. Enclose a copy of the original Bill of Sale as evidence of the date of purchase, with the product in its original packaging and a protective carton or mailer.
3. FISHMAN TRANSDUCERS' technicians will determine whether the item is covered by warranty or if it instead has been damaged by improper customer installation or other causes not related to defects in material or workmanship.
4. Warranty repairs or replacements will be sent automatically free of charge.
5. If FISHMAN TRANSDUCERS determines the item is not covered by warranty, we will notify you of the repair or replacement cost and wait for your authorization to proceed.

513-000-002 • Rev A • 10-29-03

FISHMAN®

Acoustic Power

Fishman Transducers

340-D Fordham Road Wilmington MA 01887 USA
Phone 978-988-9199 • Fax 978-988-0770

www.fishman.com